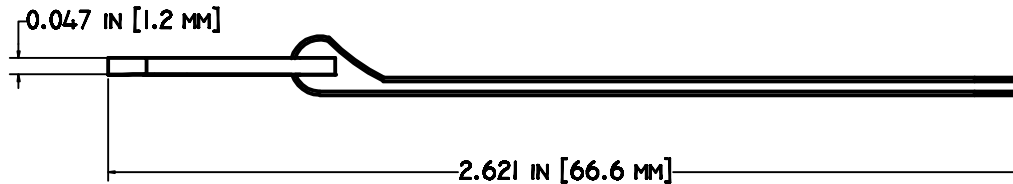
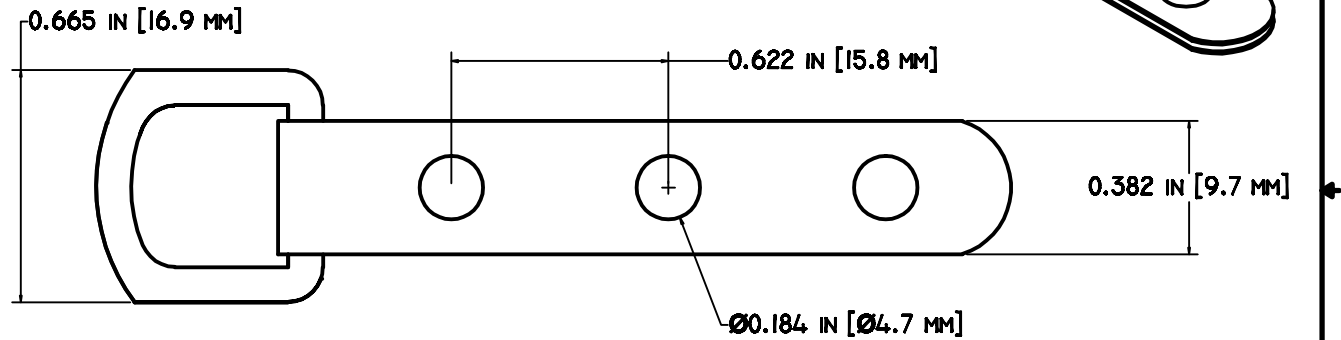
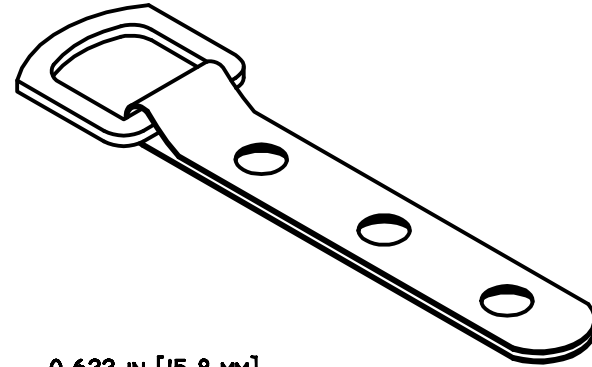


**#13 MIRROR HANGER
SUPER STRONG
5/8" WIDE X 2-5/8"**



<p>ITEM # AND DESCRIPTION #13 MIRROR HANGER, SUPER STRONG</p>	<p>BALTIMORE HARDWARE COMPANY 8901 KELSO DRIVE BALTIMORE, MD 21221</p>
<p>ITEM: 5/8" WIDE X 2-5/8" LONG</p>	<p>QUANTITY 1000 UNIT EA ITEM # 0013</p>