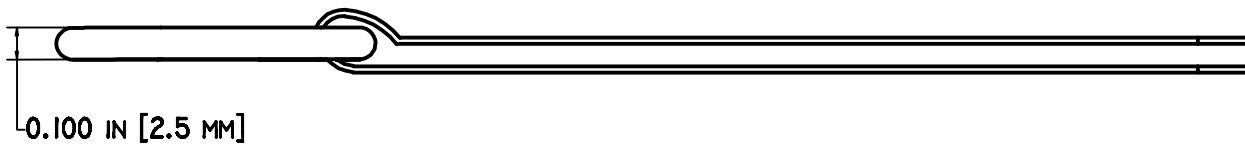
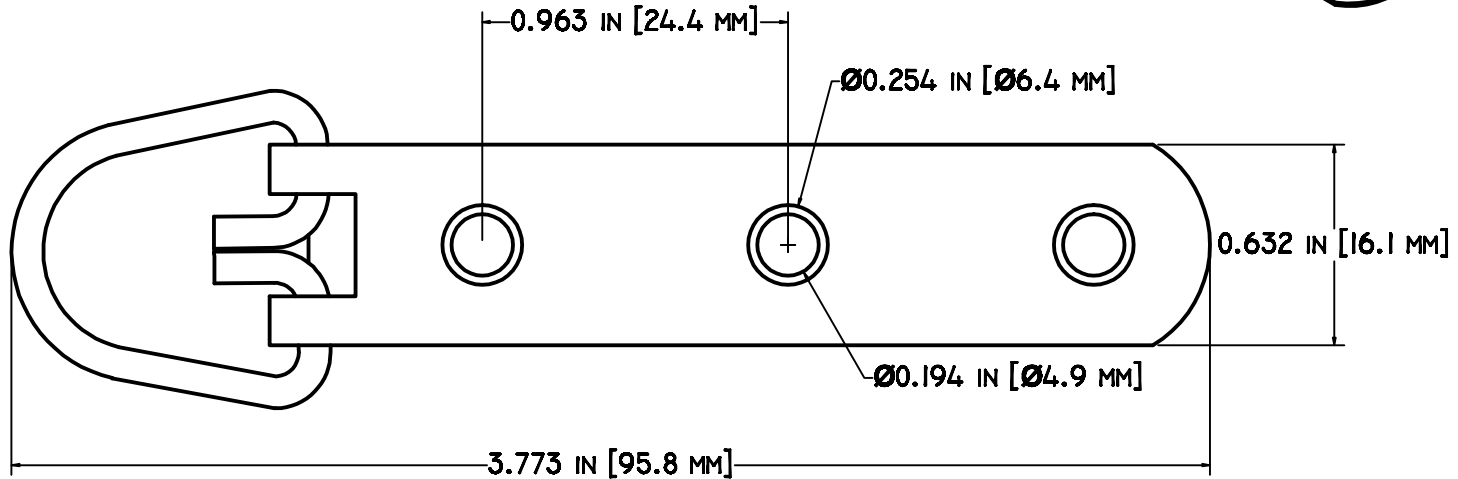
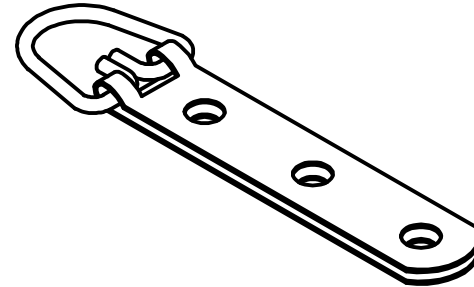


# #320 MIRROR HANGER 1" WIDE X 3-5/8"



|                              |                            |            |               |
|------------------------------|----------------------------|------------|---------------|
| ITEM # AND DESCRIPTION       | BALTIMORE HARDWARE COMPANY |            |               |
| #320 MIRROR HANGER/WIRE LOOP | 8901 KELSO DRIVE           |            |               |
| NOTE:                        | BALTIMORE, MD 21221        |            |               |
| 1" WIDE X 3-5/8" LONG        | DATE: 05/01/07             | SCALE: 1:1 | ISSUE: 000002 |