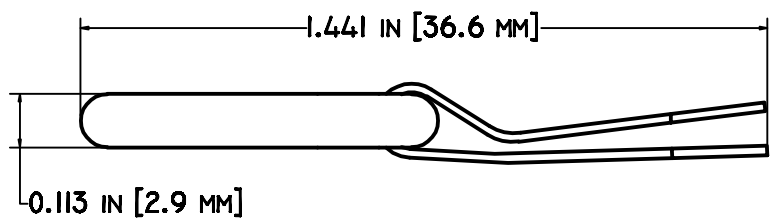
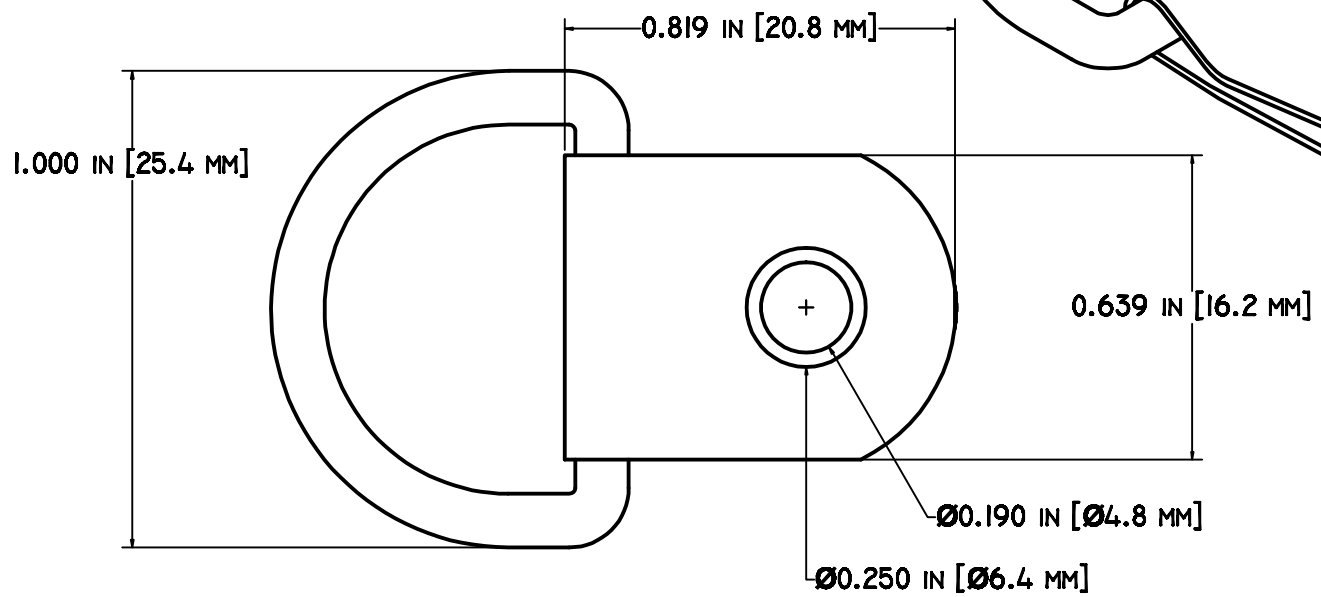
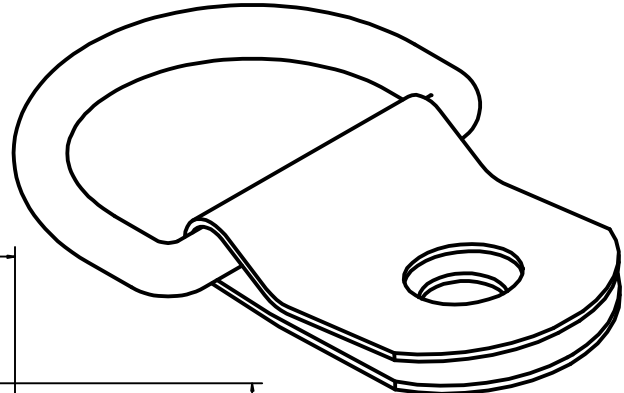


#479 MIRROR HANGER/WIRE LOOP
1" WIDE X 1-7/16" LONG
ONE HOLE



ITEM # AND DESCRIPTION	BALTIMORE HARDWARE COMPANY	
#479 MIRROR HANGER/WIRE LOOP	8901 KELSO DRIVE	
NOTE:	BALTIMORE, MD 21221	
1" WIDE X 1-7/16" LONG	DATE: 05/05/07	SCALE: 1:1
	DESIGN: 000000	WEEK: 000000