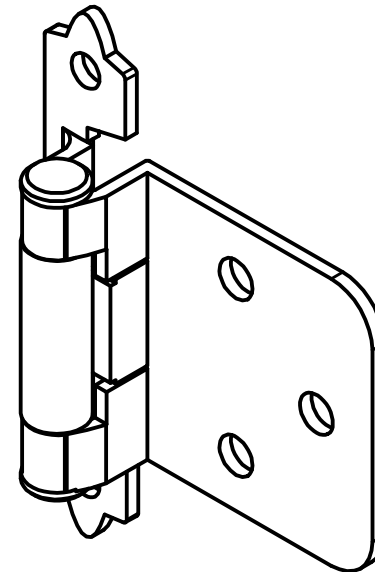
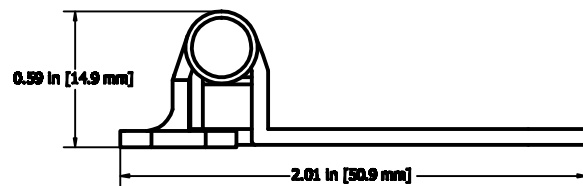
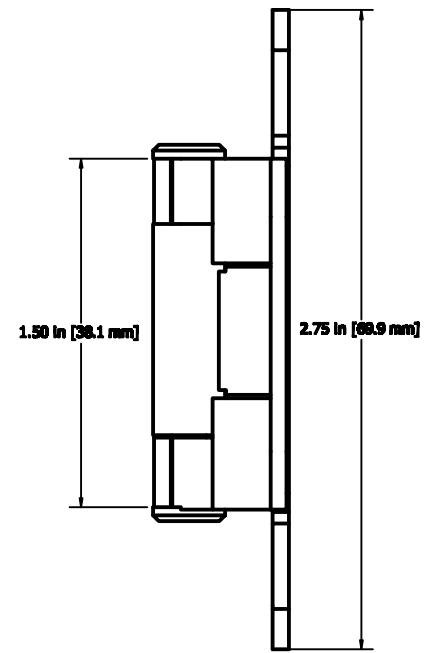


# #5502 Flush Self Closing Hinge



Hinge features spring loaded self-closing mechanism

<b>Item # and Description</b> #5502 Flush Self Closing Hinge
<b>Notes</b> Includes 3 pcs #6 Flat Head & 2 pcs #5 Oval Head

<b>Baltimore Hardware Company</b> 8901 Kelso Drive Baltimore, MD 21221		
<b>Date</b> 03/08/07	<b>Scale</b> 2.5:1	<b>Weight</b> 0.215 lbs