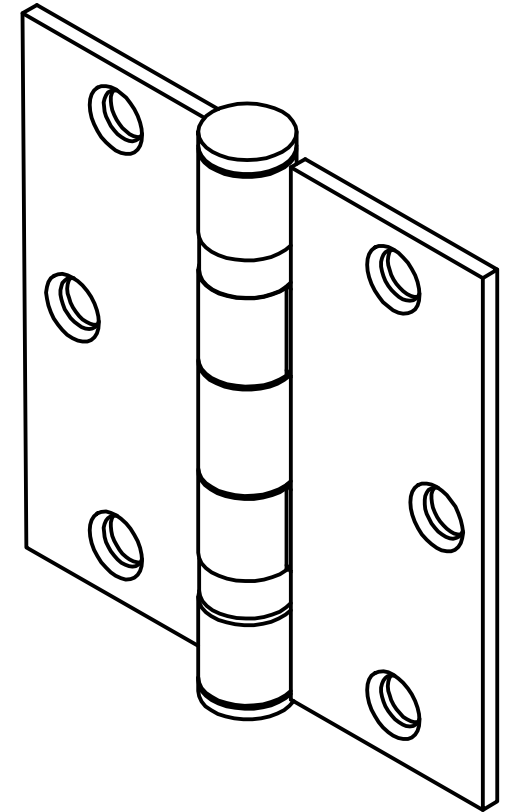
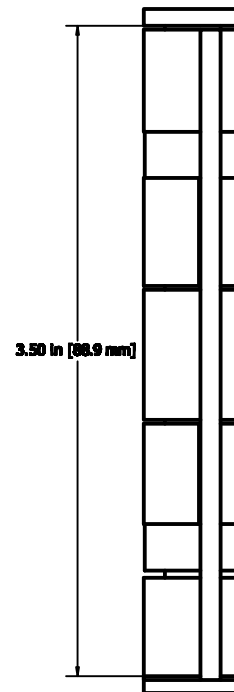
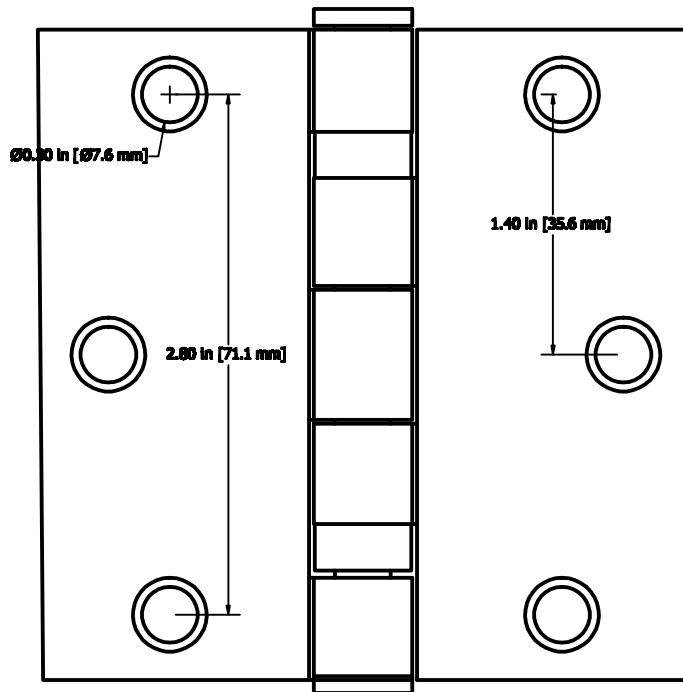
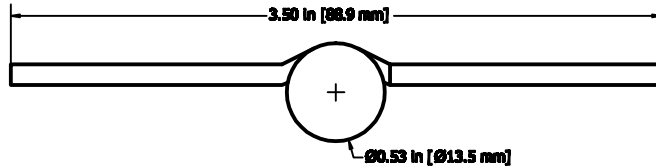


# #8500 Ball Bearing Commercial Door Hinge 3-1/2" x 3-1/2" Square



High quality commercial door hinge features ball-bearings for quiet and smooth operation. The pin is removable.

Item # and Description:  
#8500 Ball Bearing Commercial Door Hinge 3-1/2" x 3-1/2" Square

Notes:  
Includes 6 per #10 Flat Head

Baltimore Hardware Company  
8901 Keelo Drive  
Baltimore, MD 21221

Date: 01/02/97 Page: 21 Weight: 0.54 lbs