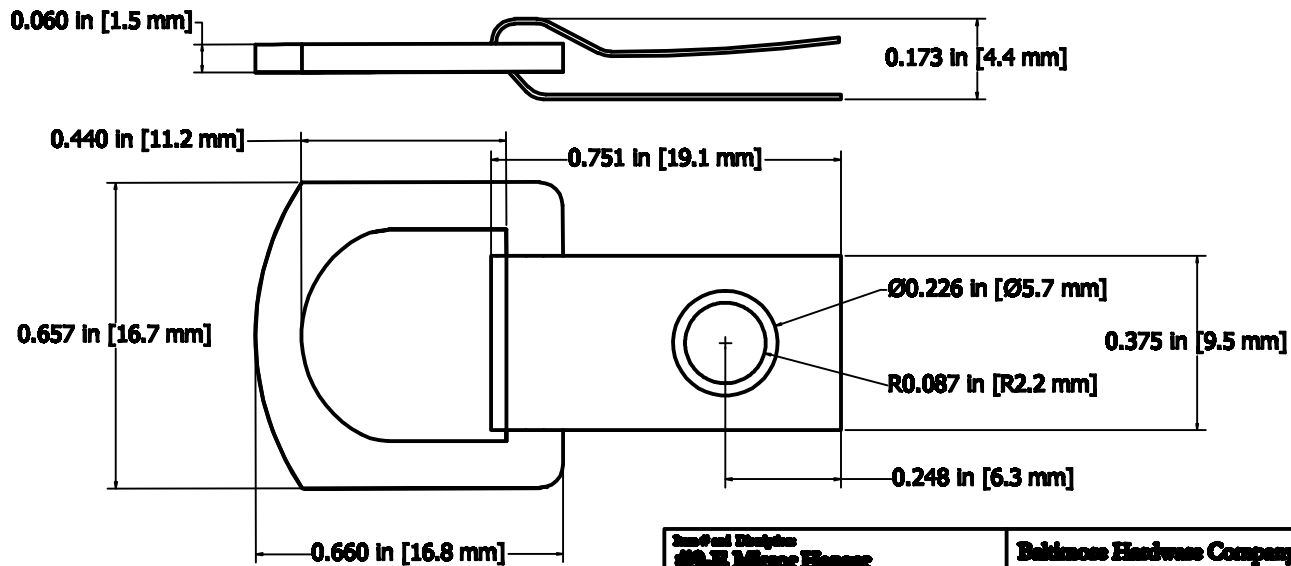
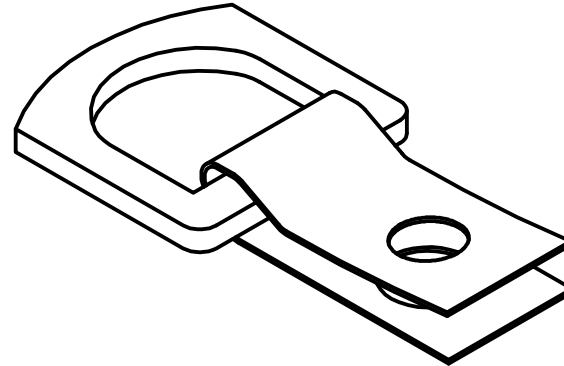


**#9-E Mirror Hanger  
Loop 5/8" Wide x 1-1/4" Long**



<b>Part Number</b> <b>#9-E Mirror Hanger</b>	<b>Baltimore Hardware Company</b> 8901 Keho Drive Baltimore, MD 21221
<b>Item</b> <b>Stud Loop 5/8" Wide x 1-1/4" Long</b>	
<b>Quantity</b>	<b>Unit Price</b>