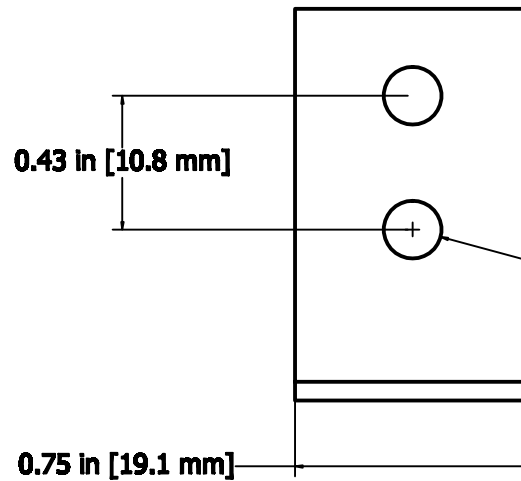
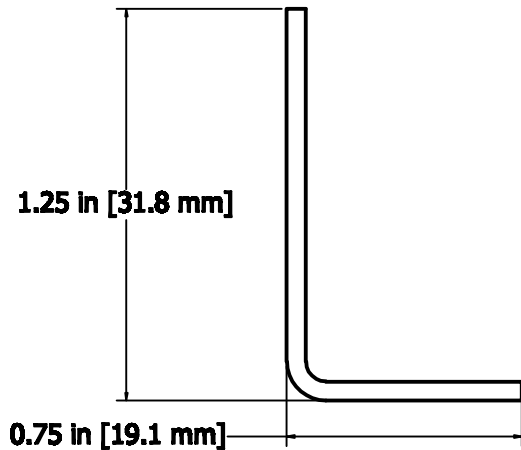
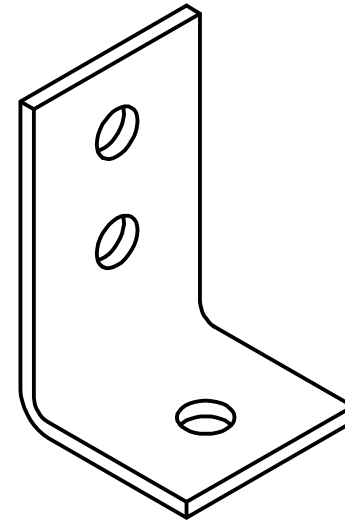
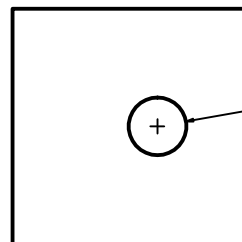


**#919 Right Angle Brace**  
**3/4" Wide x 3/4" x 1-1/4"**  
**16 Gauge**



Ø0.18 in [Ø4.7 mm]



Ø0.18 in [Ø4.7 mm]

<b>Item # and Description</b> #919 Right Angle Brace	<b>Baltimore Hardware Company</b>	
<b>Material</b> 3/4" Wide x 3/4" x 1-1/4", 16 Gauge	8901 Keiso Drive	
	Baltimore, MD 21221	
	Date 05/02/07	Weight 0.0235 Lbs