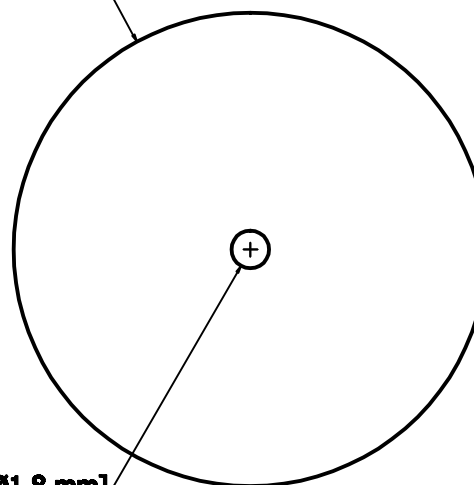
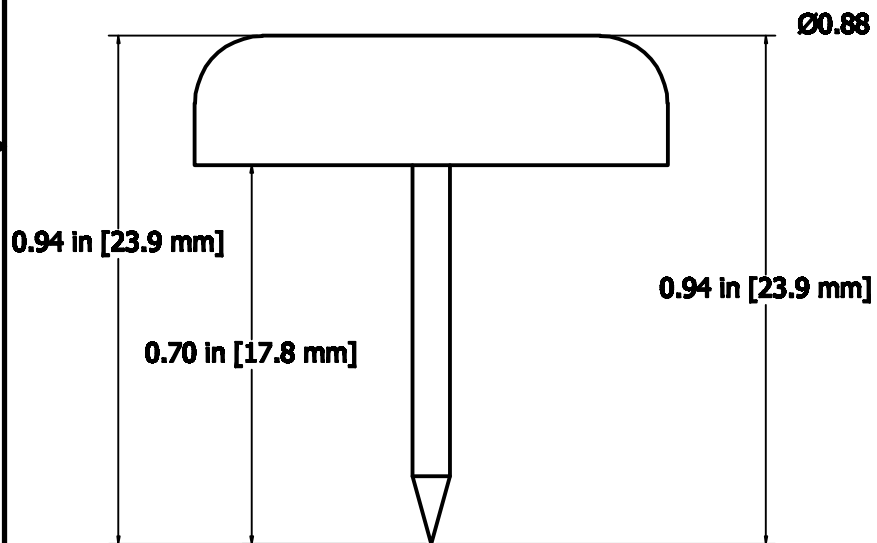
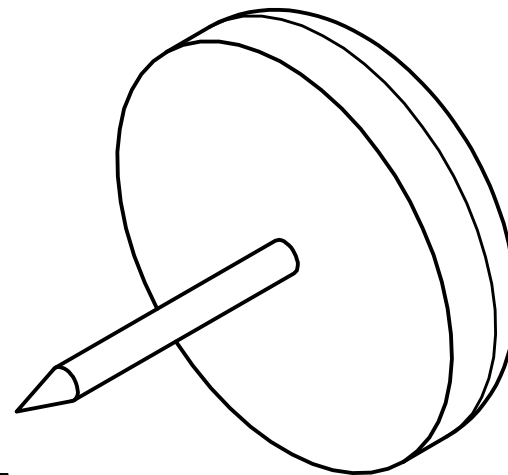


# #532 Flat Nail Glide, 7/8 inch



<b>Part # and Description</b> #532 Flat Nail Glide	<b>Baltimore Hardware Company</b> 8901 Kease Drive Baltimore, MD 21221		
<b>Notes</b> 7/8 inch Diameter	<b>Date</b> 04/20/07	<b>Scale</b> 7:1	<b>Weight</b> 0.005 lbs