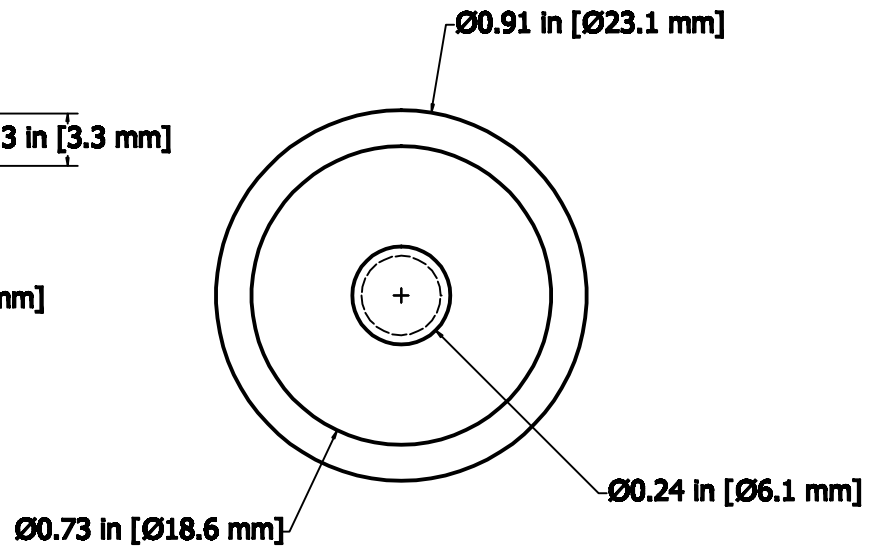
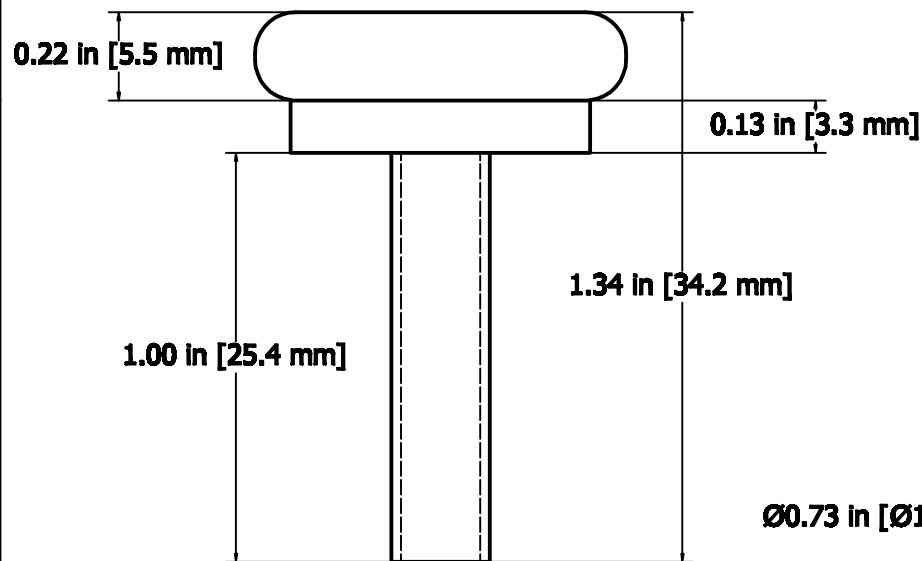
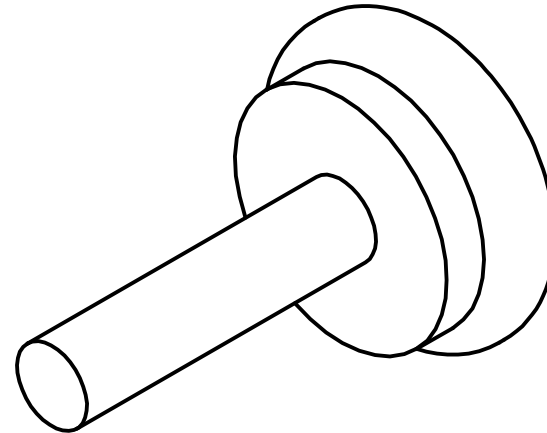


# #308 Rigid Adjustable Cushion Glide, 1/4-20 x 1" Stem x 15/16" Base



Item # and Description <b>#308 Rigid Adjustable Cushion Glide</b>
Name <b>1/4-20 x 1" Stem x 15/16" Base</b>

<b>Baltimore Hardware Company</b>		
<b>8901 Keelo Drive</b>		
<b>Baltimore, MD 21221</b>		
Date 04/24/97	Order #	Weight 0.022 lbs