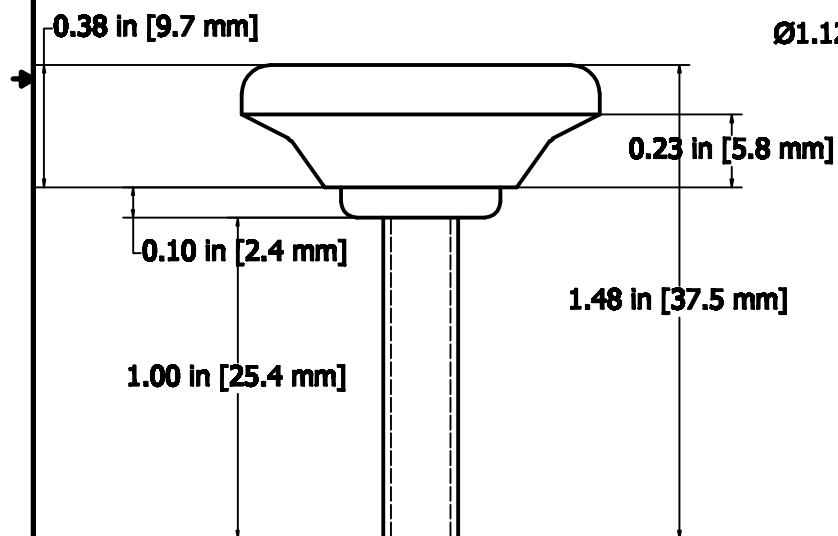
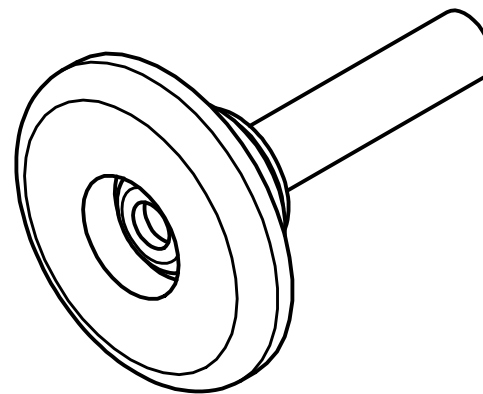
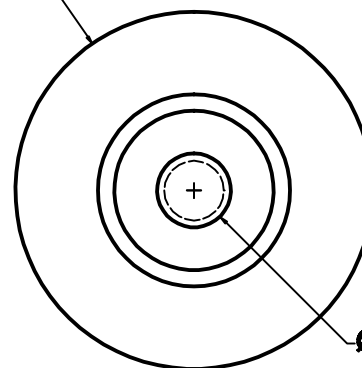


#386 Adjustable Floor Glide

1/4-20 x 1" Stem x 1-1/8" Base



Ø1.12 in [Ø28.4 mm]



Ø0.23 in [Ø5.9 mm]

Item # and Description #386 Adjustable Floor Glide	Baltimore Hardware Company 8901 Kelso Drive Baltimore, MD 21221	
Size 1/4-20 x 1" Stem x 1-1/8" Base	Date: 04/24/07	Scale: 4:1
Weight: 0.026 lbs		