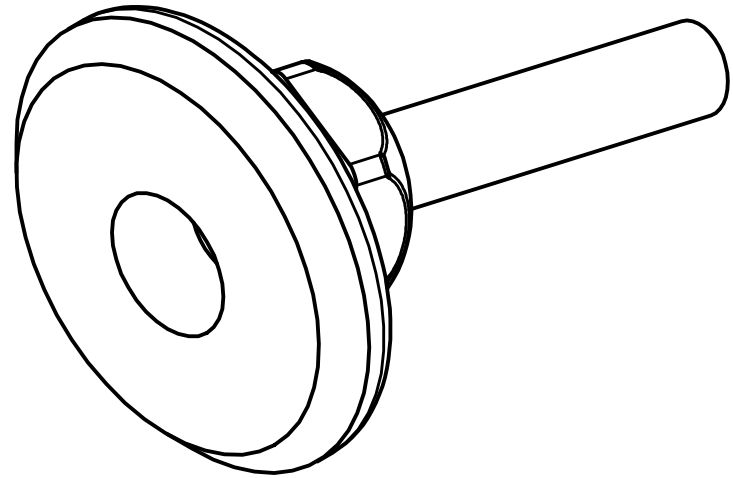
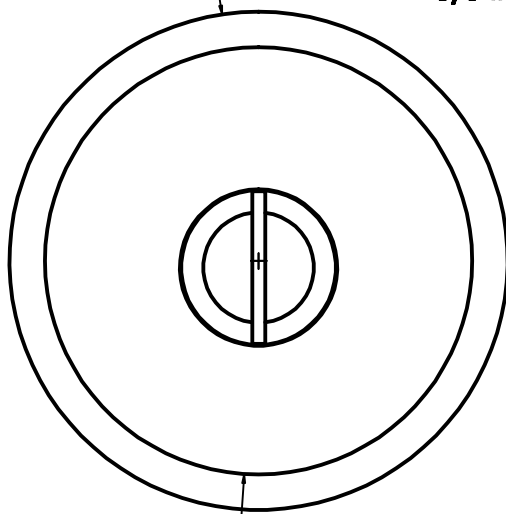


#387 Adjustable Swivel Glide, 1/4-20 x 1" Stem x 1-1/8" Base



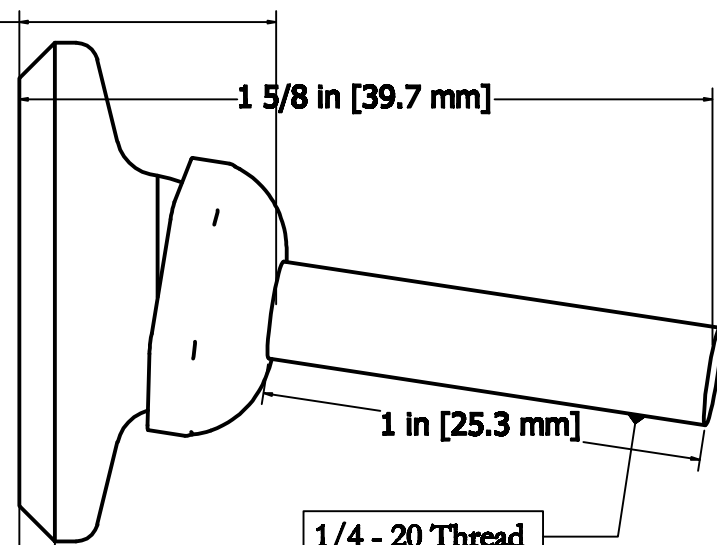
Ø1 1/8 in [Ø28.6 mm]



Ø1 in [Ø24.5 mm]

5/8 in [14.7 mm]

1 5/8 in [39.7 mm]



1 in [25.3 mm]

1/4 - 20 Thread

1/8 in [2.0 mm]

Item # and Description #387 Adjustable Swivel Glide	Baltimore Hardware Company 8901 Kelso Drive Baltimore, MD 21221	
Notes 1/4-20 x 1" Stem x 1-1/8" Base	Date 04/17/07	Scale 3/4
	Weight 0.022 lbs	