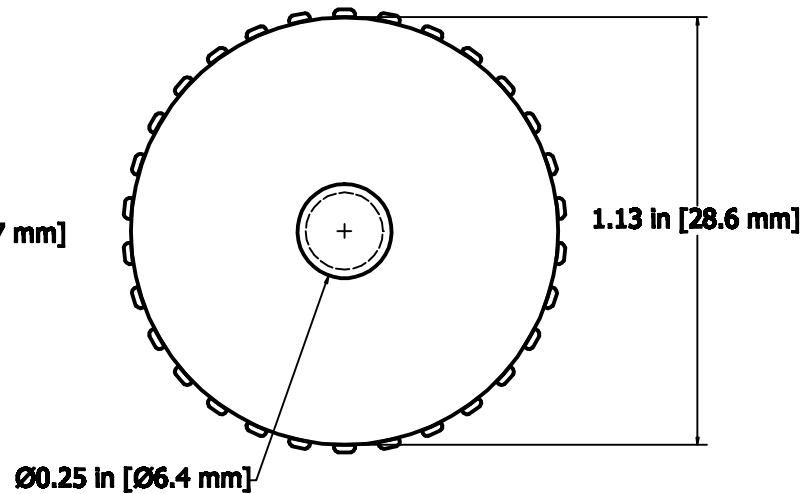
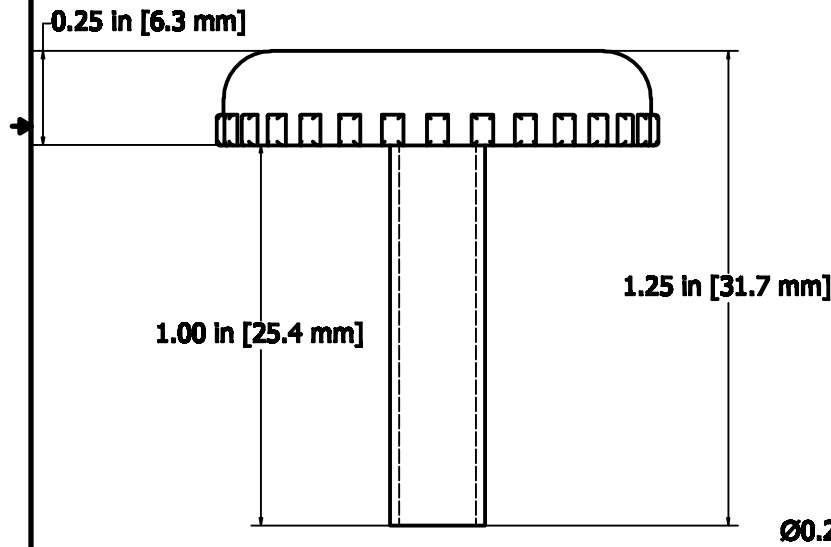
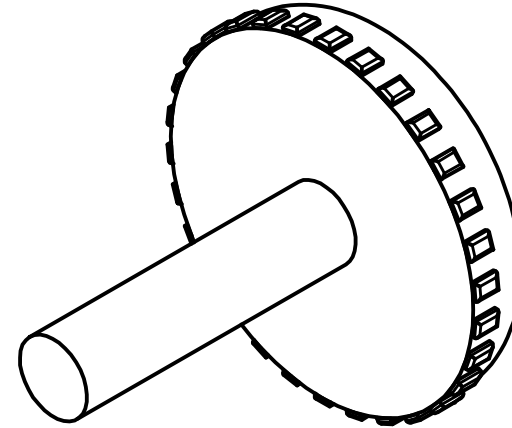


#389 Adjustable Floor Glide, 1/4-20 x 1" Stem x 1-1/8" Base



Item # and Description		Baltimore Hardware Company	
#389 Adjustable Floor Glide		8901 Kelso Drive	
Size		Baltimore, MD 21221	
1/4-20 x 1" Stem x 1-1/8" Base		Drawn 04/24/07	Scale 3:1
		Weight 0.019 Lbs	